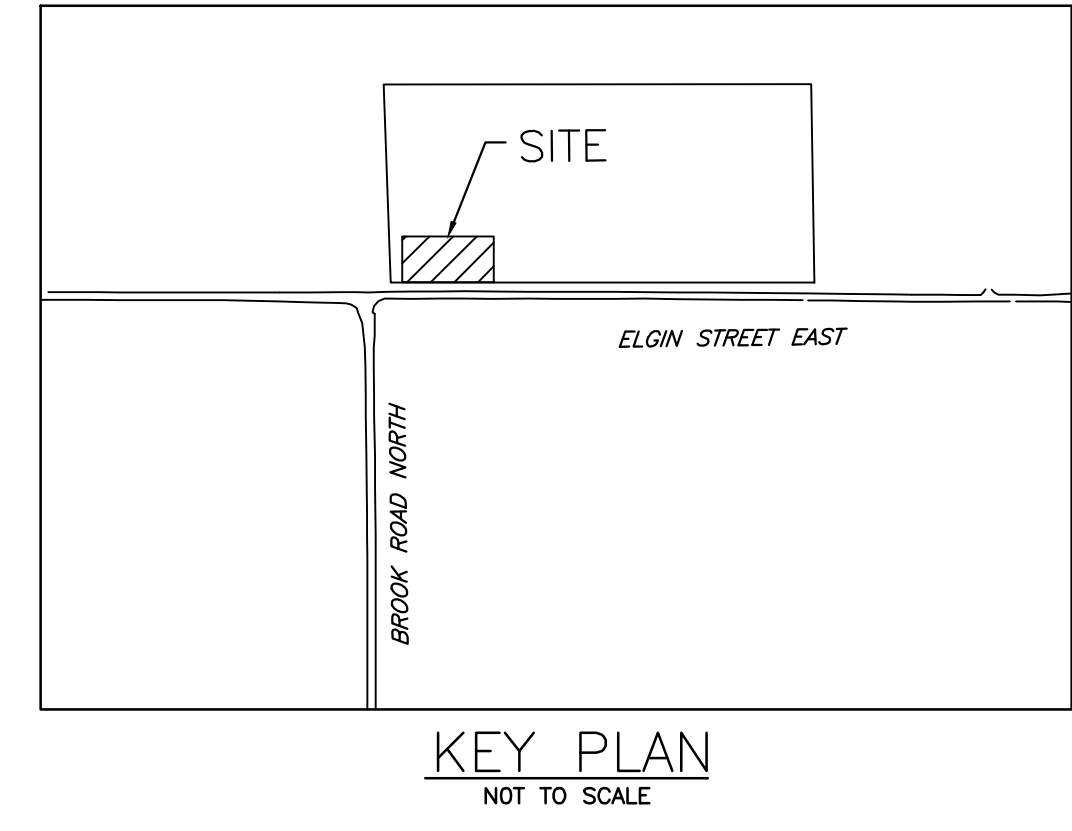


LEGEND	
	CANOPY LIGHTS
	POLE LIGHTS
	BOLLARD LIGHTS
	WALL LIGHTS
	PHOTOMETRIC VALUES (SHOWN IN FOOTCANDLES)
	ISOMETRIC LIGHT CURVES



STANDARD ABBREVIATIONS	
AFG	ABOVE FINISHED GRADE
CTE	CONNECT TO EXISTING
C/W	COMPLETE WITH

- SITE LIGHTING NOTES:**
1. ALL NEW OUTSIDE LIGHTS TO BE CONTROLLED BY BUILDING PHOTOCELL AT HIGH LEVEL AND TIME SWITCH. COORDINATE CONTROLS AND POWER REQUIREMENTS WITH BUILDING DISTRIBUTION DRAWINGS.
 2. COORDINATE AND CONFIRM ALL LIGHTING LOCATIONS WITH ARCHITECT AND ENGINEER PRIOR TO COMMENCEMENT OF WORK.
 3. ALL PHOTOMETRIC VALUES ARE SHOWN IN FOOTCANDLES.

NUMERIC SUMMARY					
	AVERAGE	MAXIMUM	MINIMUM	AVG/MIN	MAX/MIN
ACCESSIBLE PARKING	4.53	10.50	0.90	5.03	11.67
FRONT ENTRANCE & WALKWAY	10.02	16.10	3.10	3.23	5.19
BACK ENTRANCE & WALKWAY	9.08	16.00	0.90	10.09	17.78
PARKING LOT	0.70	5.60	0.10	7.00	56.00

THIS DRAWING INDICATES ALL PROPOSED OUTDOOR LIGHTING FIXTURES FOR THIS PROPOSED DEVELOPMENT. THE LIGHTING DESIGN IS IN ACCORDANCE WITH THE APPLICABLE LIGHTING ZONE AS ESTABLISHED BY THE PLANNING DEPARTMENT, AND DESIGNED WITH AN AVERAGE TO MINIMUM RATIO IN ACCORDANCE WITH THE ILLUMINATING ENGINEERING SOCIETY GUIDELINES. THIS LIGHTING DESIGN WILL NOT CREATE ANY OBJECTIONABLE GLARE FOR ADJACENT PROPERTIES.

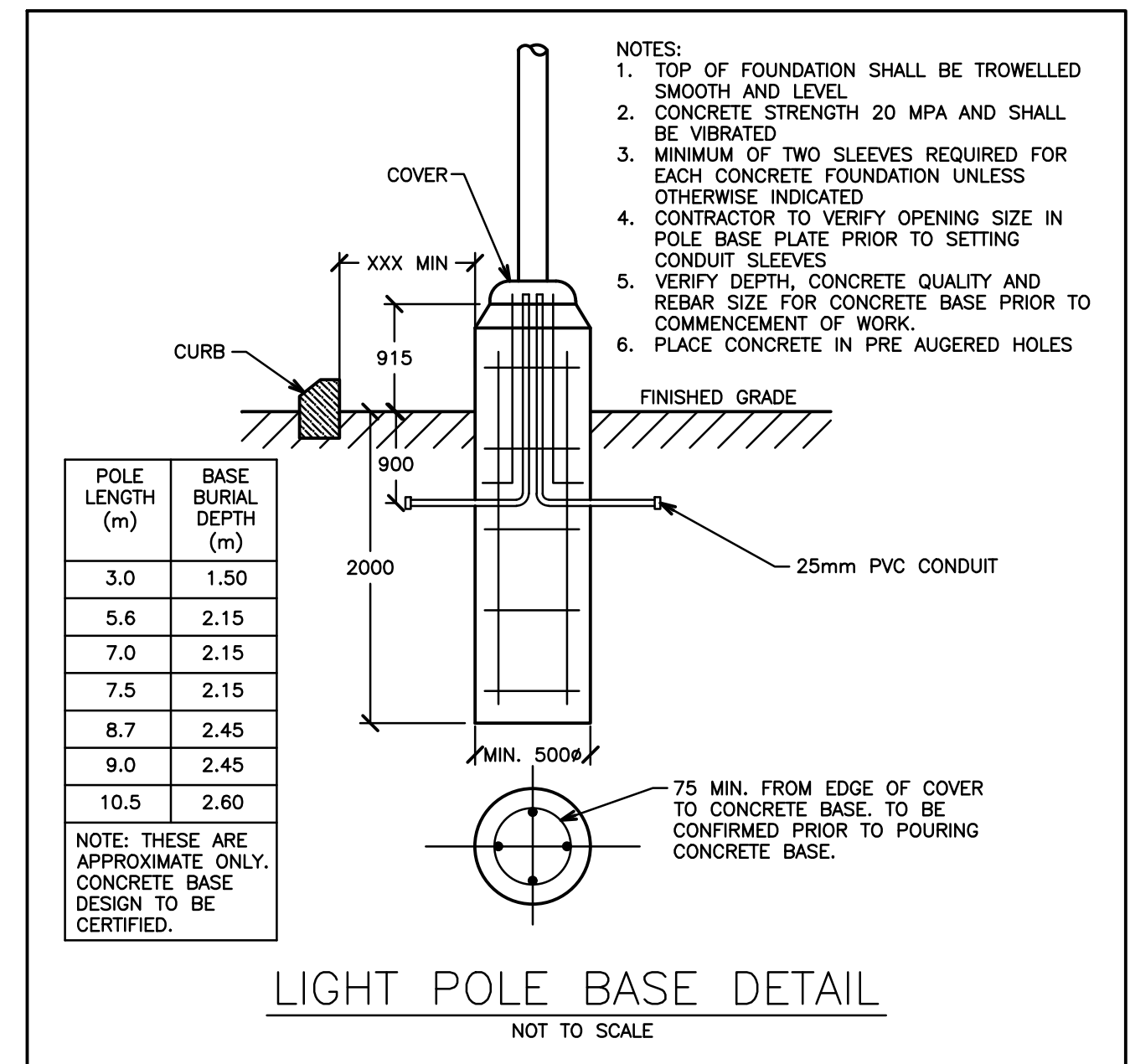
CONTRACTOR TO BE RESPONSIBLE FOR LOCATION OF ALL EXISTING UNDERGROUND & OVERHEAD UTILITIES. VARIOUS UTILITIES CONCERNED TO BE GIVEN REQUIRED ADVANCE NOTICE PRIOR TO ANY DIGGING, FOR STAKE OUT. THE CONSULTANT ASSUMES NO RESPONSIBILITY FOR THE ACCURACY OF THE LOCATION OF EXISTING UTILITIES AS INDICATED ON THIS DRAWING.

NOTE: CONTRACTOR TO REVIEW LIGHT FIXTURE SHOP DRAWINGS WITH CLIENT AND ENGINEER PRIOR TO COMMENCEMENT OF WORK FOR FINAL APPROVAL.

NOTE: FINAL LOCATIONS OF WALL MOUNTED LIGHTING TO BE APPROVED BY ARCHITECT AND OWNER PRIOR TO COMMENCEMENT OF WORK. TYPICAL.

NOTE: PHOTOMETRIC VALUES ARE SHOWN IN FOOTCANDLES WITH ISOMETRIC LIGHT CURVES

NOTE: ALL LIGHT FIXTURES TO BE FULL CUT-OFF, DOWNLIGHTING ONLY, DARK SKY COMPLIANT.



POLE SCHEDULE						
TAG	MANUFACTURER	DESCRIPTION	HEIGHT	QTY	MODEL NUMBER	NOTES
A	DYNAPOLE	4" STRAIGHT, SQUARE, STEEL POLE, BLACK	5.5 m	1	SSS4-18	REFER TO LIGHT POLE BASE DETAIL

SITE LIGHTING SCHEDULE							
WALL LIGHTS							
TAG	SYMBOL	DESCRIPTION	WATTAGE	QTY	MODEL NUMBER	MOUNTING HEIGHT	
W1		LITHONIA WST LED ARCHITECTURAL WALL SCONCE, FULL CUT-OFF, 4000K	12 W	2	WST LED P1 40K VW MVOLT DBLXD	3.0m	
W2		LITHONIA WST LED ARCHITECTURAL WALL SCONCE, FULL CUT-OFF, 4000K	25 W	4	WST LED P2 40K VW MVOLT DBLXD	3.0m	
W3		LITHONIA WST LED ARCHITECTURAL WALL SCONCE, FULL CUT-OFF, 4000K	25 W	2	WST LED P2 40K VF MVOLT DBLXD	3.0m	
POLE LIGHTS							
TAG	SYMBOL	DESCRIPTION	POLE	QTY	WATTAGE	MODEL NUMBER	MOUNTING HEIGHT
P1		LITHONIA D-SERIES LED AREA LUMINAIRE, FULL CUT-OFF, 4000K	A	1	38 W	DSXO LED P1 40K T4M MVOLT SPA DBLXD	6.1m AFG

PRELIMINARY
NOT FOR CONSTRUCTION

NO.	DATE	REVISION	BY

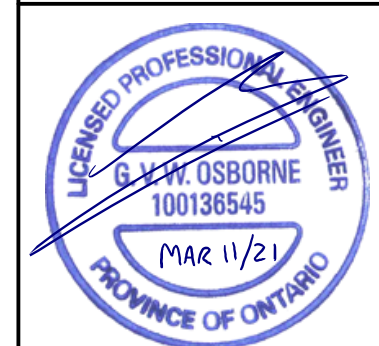
REVISIONS

TRIBUTE COMMUNITIES, TOWN OF COBOURG

SITE LIGHTING PHOTOMETRIC PLAN

D.G. Biddle & Associates Limited
consulting engineers and planners
96 KING STREET EAST OSHAWA, ON L1H 1B6
PHONE (905)576-8500 • FAX (905)576-9730
info@dgbiddle.com

SCALE:	1:200	PROJECT NO.	121028
DRAWN BY:	S.D.	DRAWING NO.	SL-1
DESIGN BY:	S.D.		
CHECKED BY:	G.V.W.O.		
DATE:	MARCH 2021		



E:\SUBS\121028 - COBOURG SALES OFFICE\121028 SL.DWG