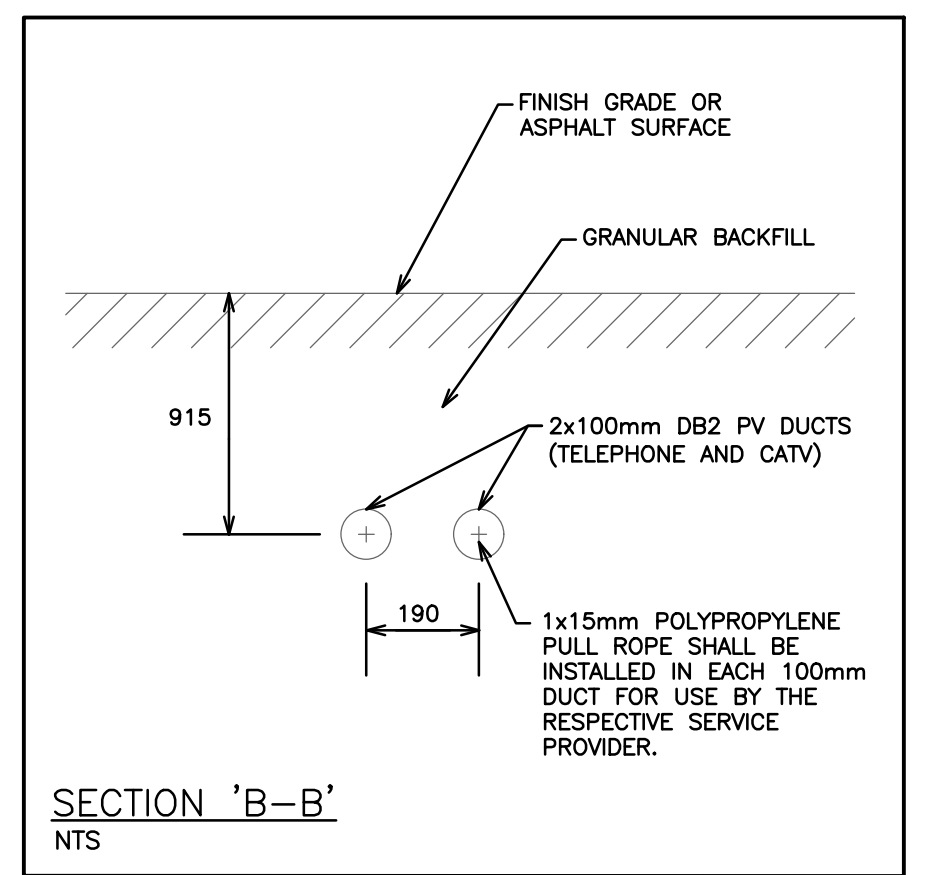
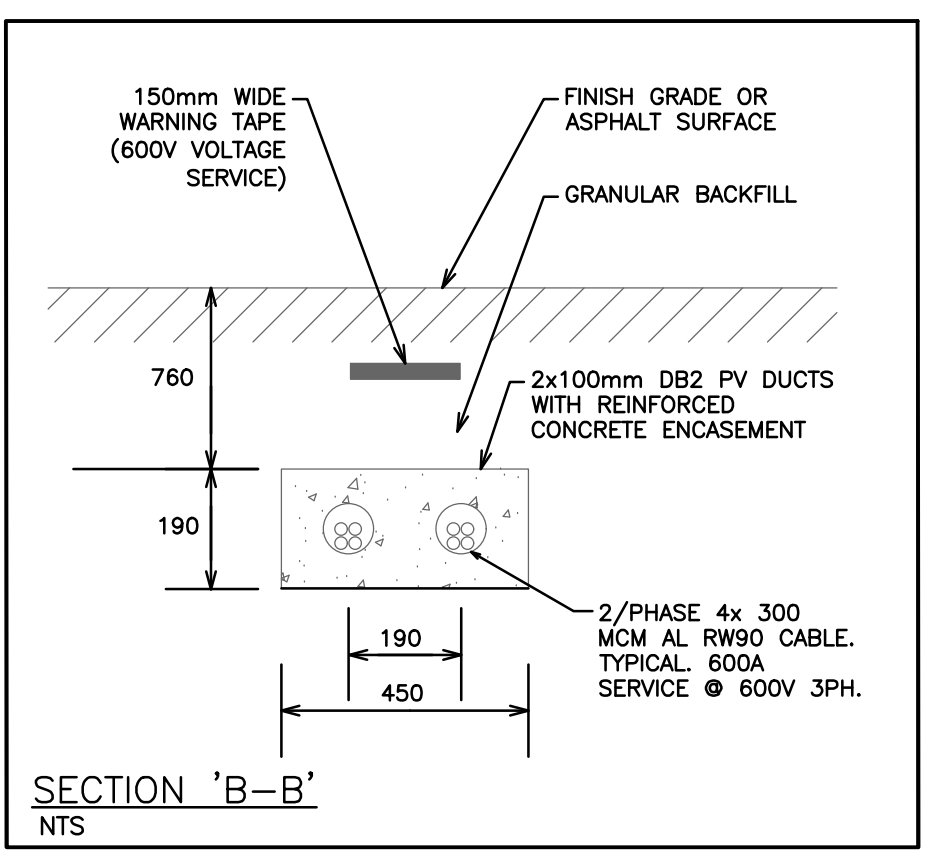
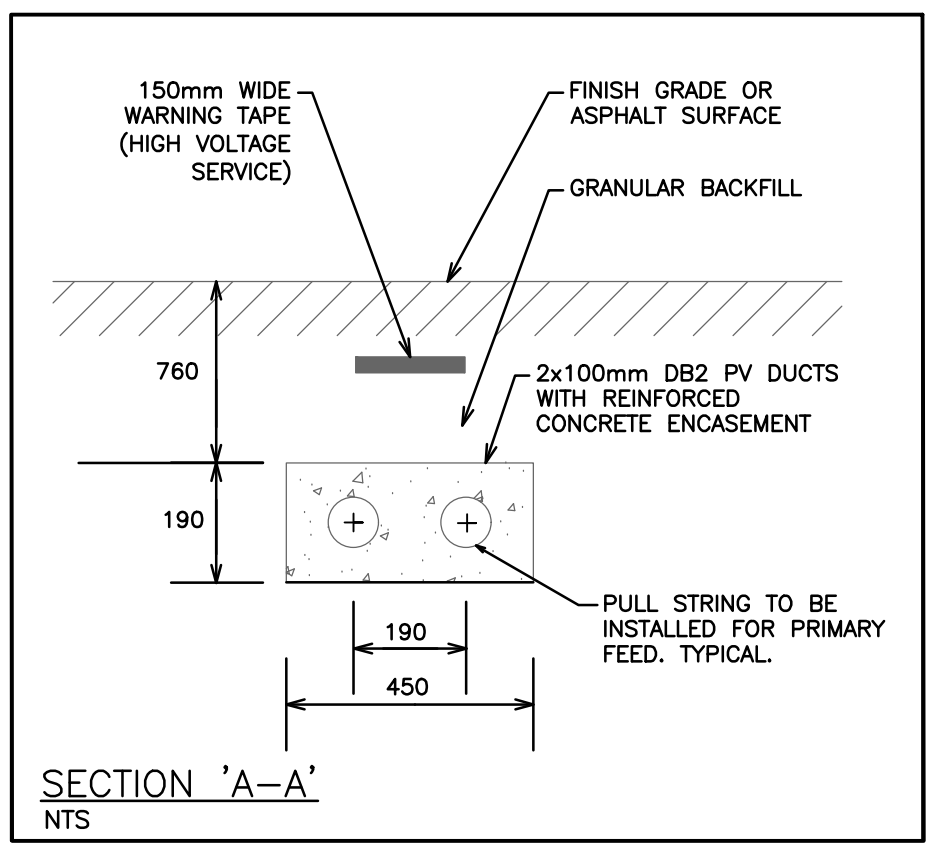
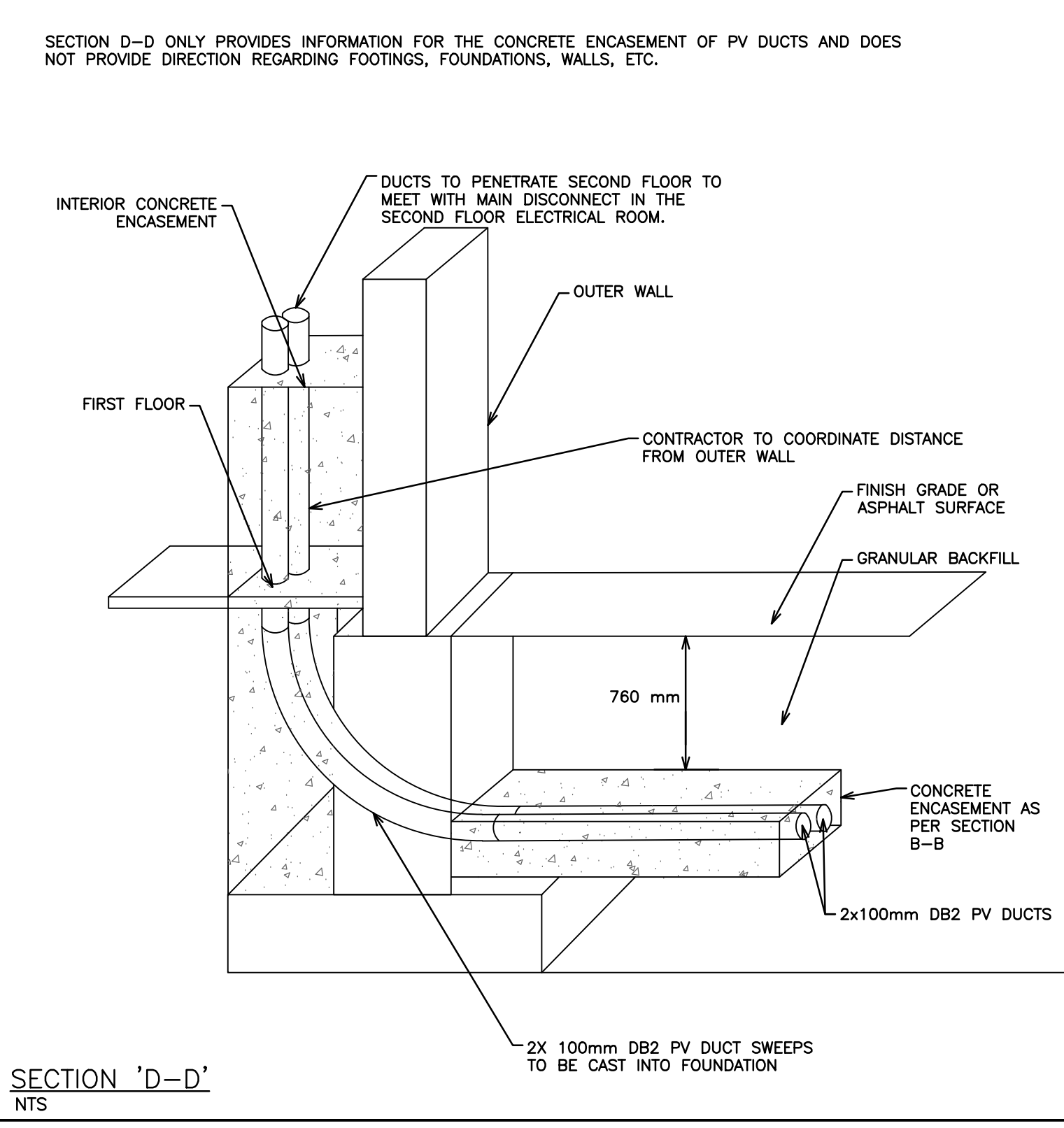
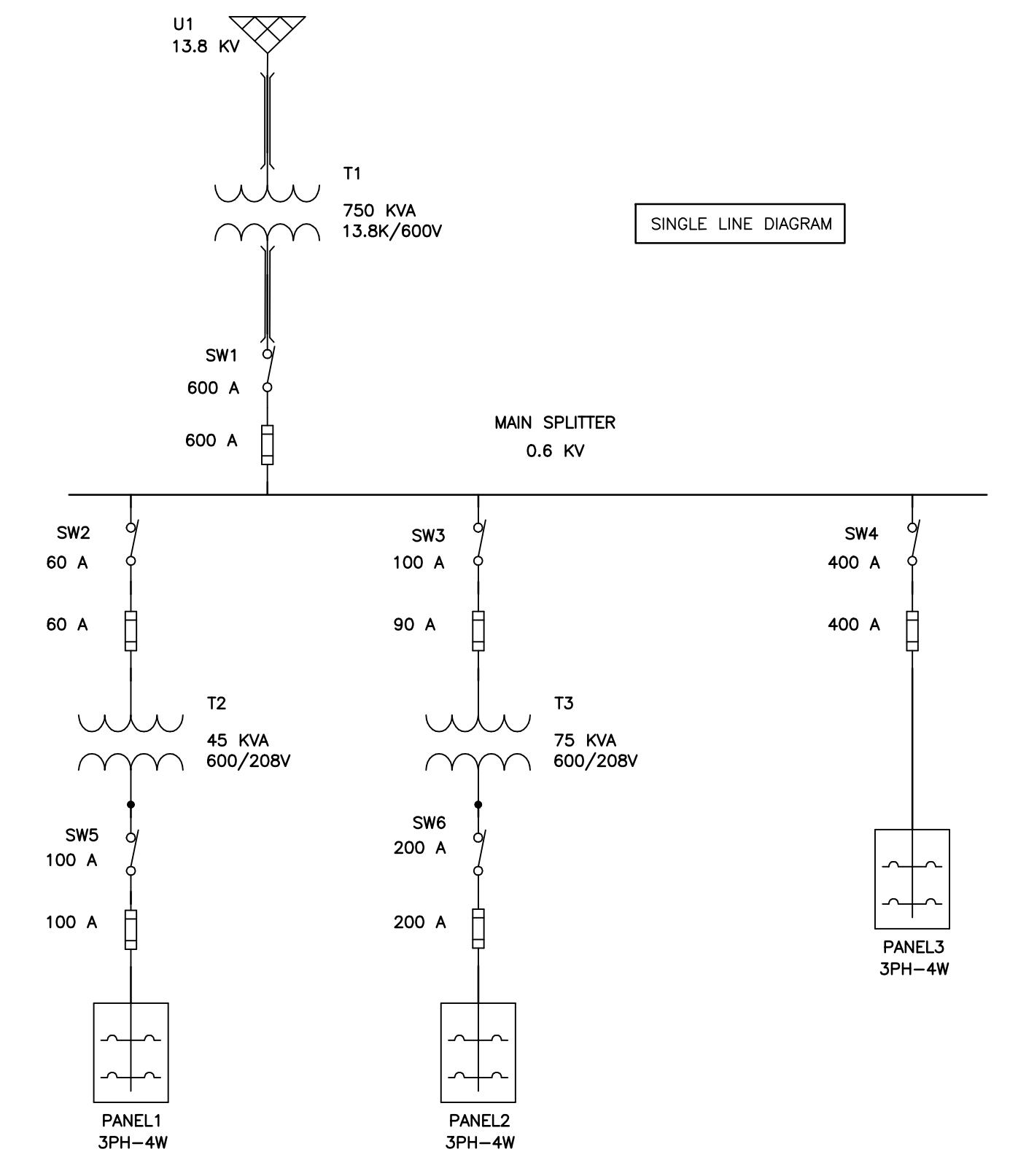


**NOT FOR CONSTRUCTION. REFER TO OFFER TO CONNECT BY LAKEFRONT UTILITIES FOR ALL DETAILS AND NOTES ASSOCIATED WITH THIS HYDRO SERVICE INSTALLATION.**



NO.	REVISION	DATE	BY	APPROVED
4.	RE-ISSUED FOR SPA	NOV 29	A.P.	G.W.V.O
3.	RE-ISSUED FOR SPA	NOV 25	A.P.	G.W.V.O
2.	ISSUED FOR SPA	NOV 14	A.P.	G.W.V.O
1.	ISSUED FOR REVIEW	SEP 25	A.P.	G.W.V.O

REVISIONS

**DODGE ST, COBOURG, ONTARIO  
DALREN LIMITED**

**SITE SERVICING  
LOADSTAR TRILAERS**

**D.G. Biddle & Associates Limited**  
consulting engineers and planners  
96 KING STREET EAST • OSHAWA, ON L1H 1B6  
PHONE (905)576-8500 • FAX (905)576-9730  
INFO@DGBIDDLE.COM

**119772**

SCALE: 1/400

PROJECT NO. 119772

DRAWN BY: A.P. DRAWING NO. SE

DESIGN BY: A.P.

CHECKED BY: G.W.V.O. CAD FILE: 119772 SE

DATE: NOV. 2019 PLOT DATE: 28/11/2019 SUBMISSION: SPA

